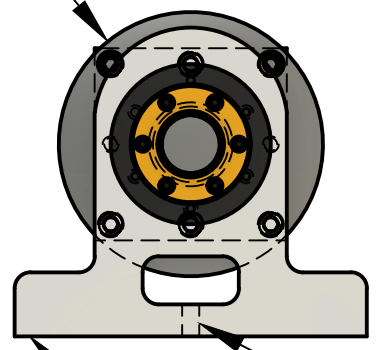


Optional brake for added rigidity

Ø8.25



Hole in outboard for mounting to machine table

Center height of outboard matched to rotary table

Ground flat and square within .001"

Bolt pattern and center plug made to rotary table

